

# Product data sheet

Specifications



## EP MVS CB 3200A 50kA 3P MF ET2 fixed manual circuit breaker

MVS32N3MF2L

### Main

Range of product	EasyPact MVS
Range	EasyPact
Product name	MVS32N
Device short name	MVS32N
Product or component type	Circuit breaker
Device application	Distribution
Poles description	3P
Protected poles description	3P 3d
Network type	AC
Breaking capacity code	N
Suitability for isolation	Yes conforming to IEC 60947-2
Utilisation category	Category B
Trip unit name	ET2I
Trip unit technology	Electronic
Trip unit rating	3200 A

### Complementary

Network frequency	50/60 Hz
Control type	Manually operated
Mounting mode	Fixed
Mounting support	Base plate Rail
Connection position	Vertical Horizontal
Location of connection	Rear
[In] rated current	3200 A at 40 °C
[Ui] rated insulation voltage	1000 V AC 50/60 Hz conforming to IEC 60947-2
[Uimp] rated impulse withstand voltage	12 kV conforming to IEC 60947-2
[Ue] rated operational voltage	690 V AC 50/60 Hz conforming to IEC 60947-2
Circuit breaker CT rating	3200 A

<b>Breaking capacity</b>	50 kA Icu at 220...440 V AC 50/60 Hz conforming to IEC 60947-2
<b>[Ics] rated service breaking capacity</b>	50 kA (Ics) at 220...440 V AC 50/60 Hz conforming to IEC 60947-2
<b>Mechanical durability</b>	20000 cycles (with maintenance) conforming to IEC 60947-2 10000 cycles (without maintenance) conforming to IEC 60947-2
<b>Electrical durability</b>	Category B: 5000 cycles 440 V AC 50/60 Hz without maintenance conforming to IEC 60947-2 Category B: 2500 cycles 690 V AC 50/60 Hz without maintenance conforming to IEC 60947-2
<b>Connection pitch</b>	115 mm without spreader
<b>Contact position indicator</b>	Yes
<b>[Icm] rated short-circuit making capacity</b>	105 kA (Icm) at 220...440 V AC 50/60 Hz conforming to IEC 60947-2
<b>[Icw] rated short-time withstand current</b>	50 kA (1 s) at 220...440 V AC 50/60 Hz conforming to IEC 60947-2 42 kA (1 s) at 690 V AC 50/60 Hz conforming to IEC 60947-2 25 kA (3 s) at 440/690 V AC 50/60 Hz conforming to IEC 60947-2
<b>Trip unit protection functions</b>	LI
<b>Protection type</b>	Overload protection (long time) Instantaneous short-circuit protection
<b>Fault indication</b>	Short-circuit Overload Internal fault
<b>Long time pick-up adjustment type Ir</b>	Adjustable 9 settings
<b>Long time pick-up adjustment range</b>	0.4...1 x In
<b>Long time delay adjustment type</b>	Adjustable 9 settings
<b>[Tr] long-time delay adjustment range</b>	0.5...24 s at 6 x Ir
<b>Thermal memory</b>	20 minutes before and after tripping
<b>Instantaneous pick-up adjustment type Ii</b>	Adjustable 9 settings
<b>Instantaneous pick-up adjustment range</b>	1.5...10 x Ir
<b>Zone selective interlocking ZSI</b>	With
<b>Current sensor rating range</b>	1000/4000 A
<b>Maximum breaking time</b>	25 ms
<b>Maximum closing response time</b>	70 ms
<b>Height</b>	352 mm
<b>Width</b>	422 mm
<b>Depth</b>	297 mm
<b>Net weight</b>	60 kg

## Environment

<b>Standards</b>	IEC 60947-2
<b>Product certifications</b>	CCS CCC IEC GOST
<b>IP degree of protection</b>	IP40
<b>Pollution degree</b>	4 conforming to IEC 60664-1
<b>Ambient air temperature for operation</b>	-5...70 °C

<b>Ambient air temperature for storage</b>	-40...85 °C without control unit -25...85 °C with control unit
--	---

## Packing Units

<b>Unit Type of Package 1</b>	PCE
<b>Number of Units in Package 1</b>	1
<b>Package 1 Weight</b>	38.0 kg
<b>Package 1 Height</b>	42 cm
<b>Package 1 width</b>	35 cm
<b>Package 1 Length</b>	50 cm

## Offer Sustainability

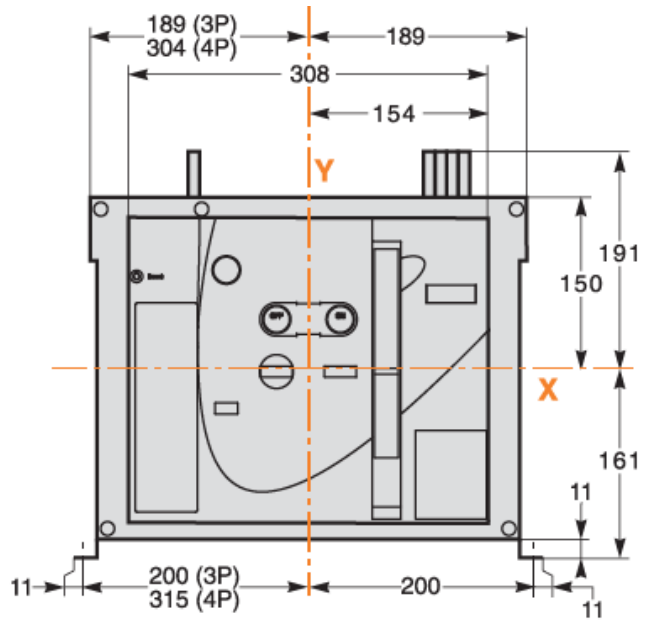
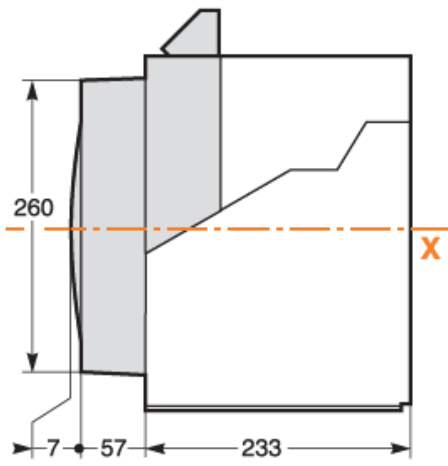
<b>Sustainable offer status</b>	Green Premium product
<b>REACH Regulation</b>	<a href="#">REACH Declaration</a>
<b>EU RoHS Directive</b>	Compliant <a href="#">EU RoHS Declaration</a>
<b>Mercury free</b>	Yes
<b>RoHS exemption information</b>	<a href="#">Yes</a>
<b>China RoHS Regulation</b>	<a href="#">China RoHS declaration</a> Product out of China RoHS scope. Substance declaration for your information
<b>Environmental Disclosure</b>	<a href="#">Product Environmental Profile</a>
<b>Circularity Profile</b>	<a href="#">End of Life Information</a>
<b>PVC free</b>	Yes

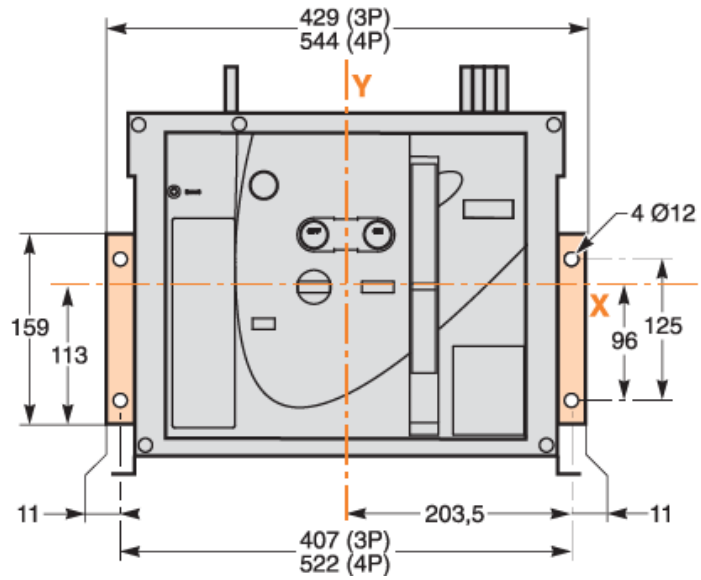
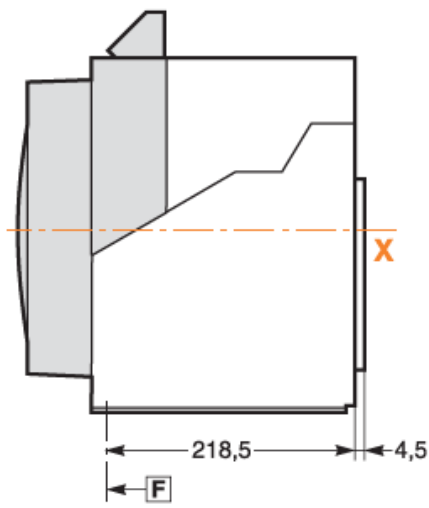
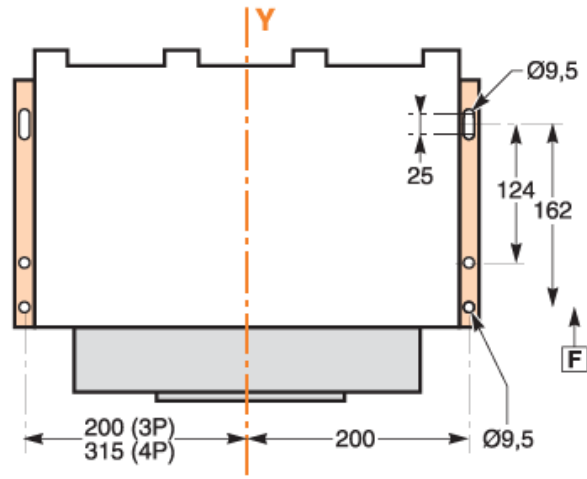
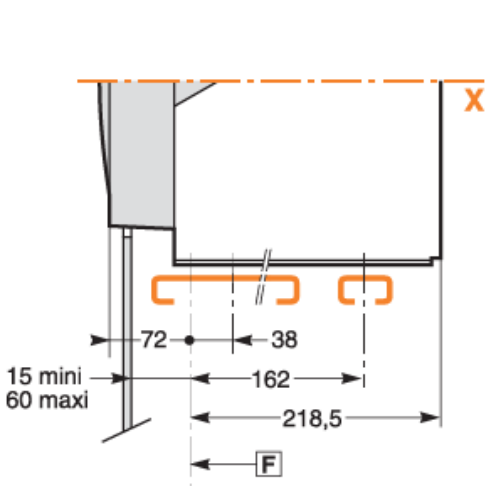
## Contractual warranty

<b>Warranty</b>	18 months
-----------------	-----------

**Product data sheet**  
Dimensions Drawings

**MVS32N3MF2L**





Performance Curves

