

# Product data sheet

Specifications



## EP MVS CB 800A 50kA 3P MF ET2 fixed manual circuit breaker

MVS08N3MF2L

### Main

Range of product	EasyPact MVS
Range	EasyPact
Product name	MVS08N
Device short name	MVS08N
Product or component type	Circuit breaker
Device application	Distribution
Poles description	3P
Protected poles description	3P 3d
Network type	AC
Breaking capacity code	N
Suitability for isolation	Yes conforming to IEC 60947-2
Utilisation category	Category B
Trip unit name	ET2I
Trip unit technology	Electronic
Trip unit rating	800 A

### Complementary

Network frequency	50/60 Hz
Control type	Manually operated
Mounting mode	Fixed
Mounting support	Rail Base plate
Connection position	Horizontal Vertical
Location of connection	Rear
[In] rated current	800 A at 40 °C
[Ui] rated insulation voltage	1000 V AC 50/60 Hz conforming to IEC 60947-2
[Uimp] rated impulse withstand voltage	12 kV conforming to IEC 60947-2
[Ue] rated operational voltage	690 V AC 50/60 Hz conforming to IEC 60947-2
Circuit breaker CT rating	800 A

<b>Breaking capacity</b>	50 kA Icu at 220...440 V AC 50/60 Hz conforming to IEC 60947-2
<b>[Ics] rated service breaking capacity</b>	50 kA (Ics) at 220...440 V AC 50/60 Hz conforming to IEC 60947-2
<b>Mechanical durability</b>	20000 cycles (with maintenance) conforming to IEC 60947-2 10000 cycles (without maintenance) conforming to IEC 60947-2
<b>Electrical durability</b>	Category B: 6000 cycles 440 V AC 50/60 Hz without maintenance conforming to IEC 60947-2 Category B: 4000 cycles 690 V AC 50/60 Hz without maintenance conforming to IEC 60947-2
<b>Connection pitch</b>	115 mm without spreader
<b>Contact position indicator</b>	Yes
<b>[Icm] rated short-circuit making capacity</b>	105 kA (Icm) at 220...440 V AC 50/60 Hz conforming to IEC 60947-2
<b>[Icw] rated short-time withstand current</b>	50 kA (1 s) at 220...440 V AC 50/60 Hz conforming to IEC 60947-2 42 kA (1 s) at 690 V AC 50/60 Hz conforming to IEC 60947-2 25 kA (3 s) at 440/690 V AC 50/60 Hz conforming to IEC 60947-2
<b>Trip unit protection functions</b>	LI
<b>Protection type</b>	Instantaneous short-circuit protection Overload protection (long time)
<b>Fault indication</b>	Overload Short-circuit Internal fault
<b>Long time pick-up adjustment type Ir</b>	Adjustable 9 settings
<b>Long time pick-up adjustment range</b>	0.4...1 x In
<b>Long time delay adjustment type</b>	Adjustable 9 settings
<b>[Tr] long-time delay adjustment range</b>	0.5...24 s at 6 x Ir
<b>Thermal memory</b>	20 minutes before and after tripping
<b>Instantaneous pick-up adjustment type Ii</b>	Adjustable 9 settings
<b>Instantaneous pick-up adjustment range</b>	1.5...10 x Ir
<b>Zone selective interlocking ZSI</b>	With
<b>Current sensor rating range</b>	400/2000 A
<b>Maximum breaking time</b>	25 ms
<b>Maximum closing response time</b>	70 ms
<b>Height</b>	352 mm
<b>Width</b>	422 mm
<b>Depth</b>	297 mm
<b>Net weight</b>	40 kg

## Environment

<b>Standards</b>	IEC 60947-2
<b>Product certifications</b>	GOST CCC CCS IEC
<b>IP degree of protection</b>	IP40
<b>Pollution degree</b>	4 conforming to IEC 60664-1
<b>Ambient air temperature for operation</b>	-5...70 °C

Ambient air temperature for storage	-40...85 °C without control unit -25...85 °C with control unit
-------------------------------------	---

## Packing Units

Unit Type of Package 1	PCE
Number of Units in Package 1	1
Package 1 Weight	38.0 kg
Package 1 Height	35 cm
Package 1 width	42 cm
Package 1 Length	50 cm

## Offer Sustainability

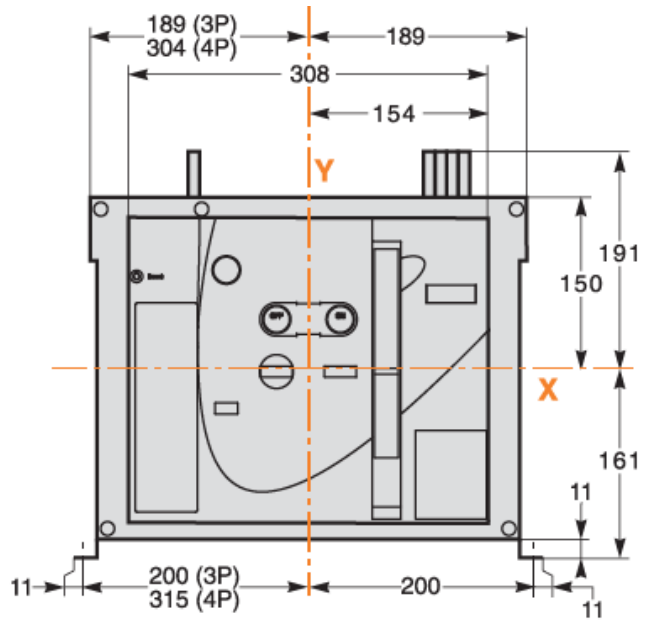
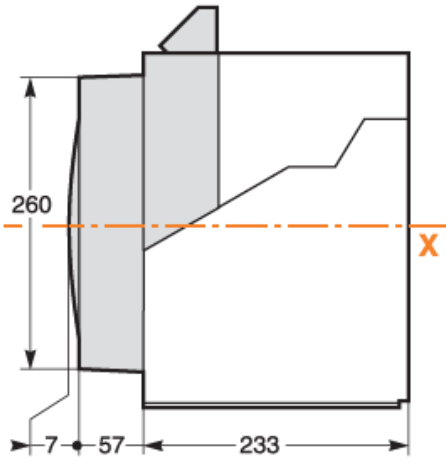
Sustainable offer status	Green Premium product
REACH Regulation	<a href="#">REACH Declaration</a>
EU RoHS Directive	Compliant <a href="#">EU RoHS Declaration</a>
Mercury free	Yes
RoHS exemption information	<a href="#">Yes</a>
China RoHS Regulation	<a href="#">China RoHS declaration</a> Product out of China RoHS scope. Substance declaration for your information
Environmental Disclosure	<a href="#">Product Environmental Profile</a>
Circularity Profile	<a href="#">End of Life Information</a>
PVC free	Yes

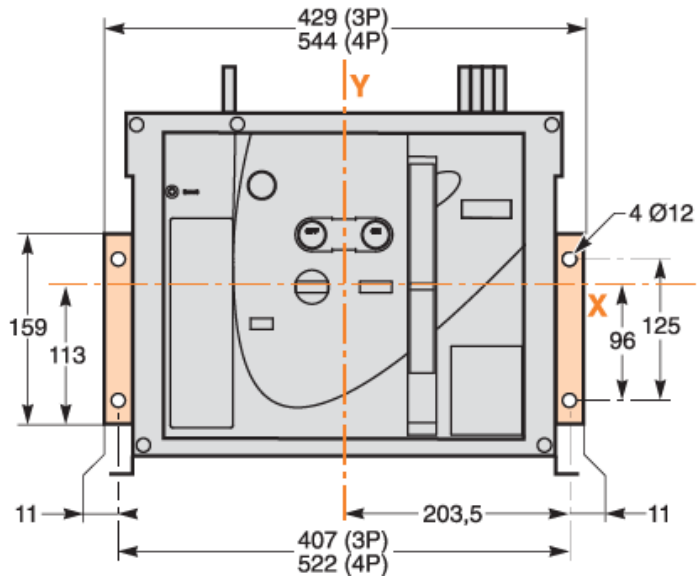
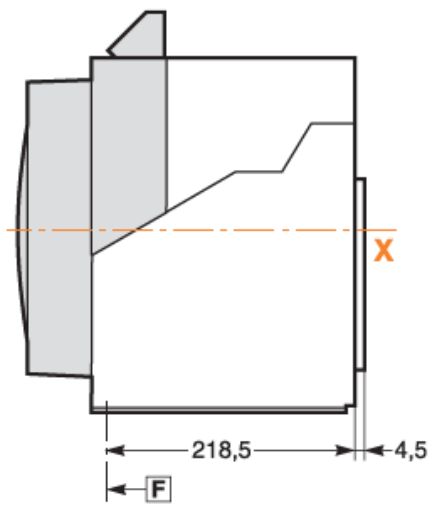
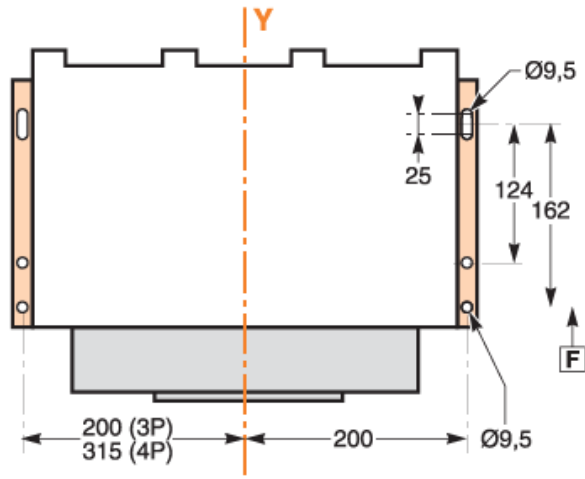
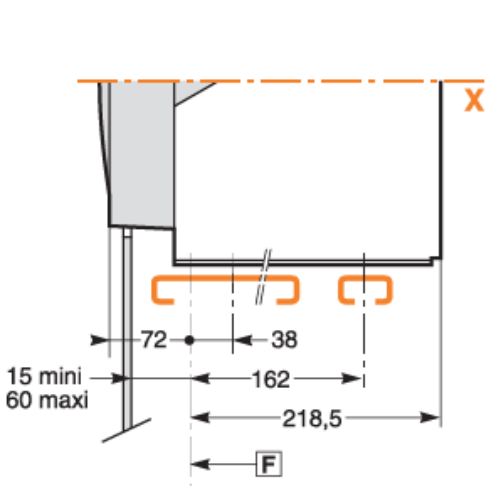
## Contractual warranty

Warranty	18 months
----------	-----------

**Product data sheet**  
Dimensions Drawings

**MVS08N3MF2L**





Performance Curves

